



Product range

Order code	Description
zc-pms-iot-2sw-r	Wireless PIR and air quality sensor 8 m, with inbuilt relay and two switches, built in DALI PSU
zc-pms-iot-2sw-vf	Wireless PIR and air quality sensor 8 m, with inbuilt volt free relay and two switches, built in DALI PSU
zc-pms-da-2sw-r	Wireless PIR and air quality sensor 8 m, with inbuilt relay and two switches
zc-pms-da-2sw-vf	Wireless PIR and air quality sensor 8 m, with inbuilt volt free relay and two switches

Features

- IAQ measurement
- eCO₂ sensor
- eVOC sensor
- Humidity sensor
- PIR motion sensor
- Sound pressure level sensor
- Temperature sensor
- Light level measurement
- 35mA DALI power supply on -iot models
- Wireless support for IEC62386-104 over Thread
- Fully compatible with other DALI-2 application controllers
- Broadcast control of DALI devices with inbuilt application controller

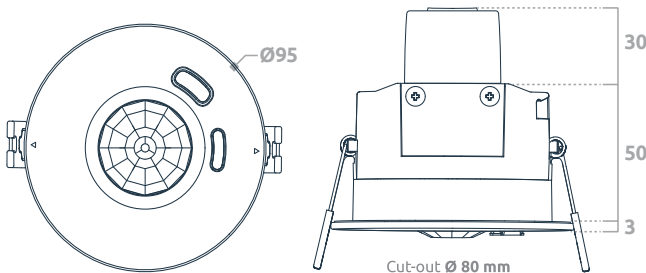
Fully independent IEC62386 devices

- IEC62386-101 Power supply
- IEC62386-208 Relay
- IEC62386-303 Motion sensor
- IEC62386-304 Light level sensor
- IEC62386-301 Switch (x2)
- IEC62386-306 Generic input sensor (x4)

Programmable features (switch)

- Switch type (dimmer, on / off, up / down, colour dimmer, colour warmer, colour cooler)
- Switch actions (enable / disable sensor, enable / disable lux)
- Switch override time

Dimensions (mm)



Notice

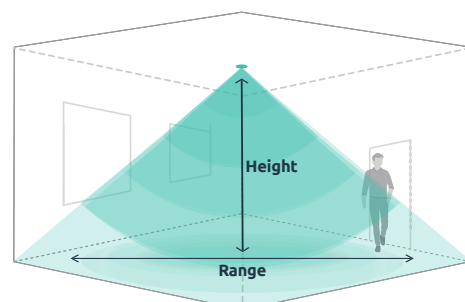
- The DALI line is not SELV. It must be treated like LV mains and treated with the same precautions and wiring regulations.

Specifications

Supply	220 - 240 V AC
Supply current	< 0.1 A
DALI bus current	< 2 mA
DALI power supply current (-iot models)	35 mA
Relay output (-r models)	165 A / 20 ms inrush current 492 A / 1.5 ms LED inrush current 10 A capacitive ⚡ 10 A inductive ⚡ 10 A resistive ⚡
Output voltage rating AC (-vf model)	10 A resistive ⚡ 6 A inductive ⚡
Output load rating DC (-vf model)	0 - 25 V 3 A resistive ⚡ 25 - 240 V 200 mA resistive ⚡
Lens	Fresnel
Sensors	PIR, lux, IAQ, humidity, temperature
Wireless	IEC62386-104 over Thread
Temperature	-20°C to 85°C (±1°C) -10°C to 40°C (±0.5°C)
Humidity	0 to 100% (RH±5%)
Lux	0 to 64,000 Lux (±5 %)
TVOC	0 to 1,000 ppm
CO₂eq	300 to 10,000 ppm
Sound level	35 to 100 dBA Leq (±2 dBA Leq)
Wiring	2.5 mm ² cable (no earth, suits round and tps)
Operating temperature	0 to 55°C
Material	PC (body)
Ingress protection	IP20
Mounting (kits sold separately)	Recessed (cut-out Ø 80 mm) Wall mount kit (mounting centres 85 mm) Surface mount kit Rod mount kit Conduit mount kit (mounting centres 50 - 60 mm)
Compliance standards	IEC 61347-2-11 IEC 62386-104 IEC 62386-302 IEC 60669-2-1 IEC 62386-208 IEC 62386-303 CISPR 15 IEC 62386-301 IEC 62386-304 EN 55015

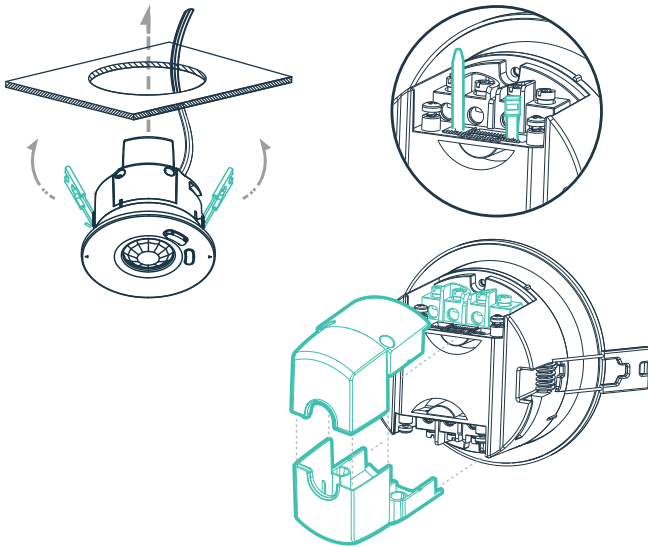
Detection pattern

Mounting height 2 - 12 m **Range** Ø 8 m (mounted at 2.7 m)

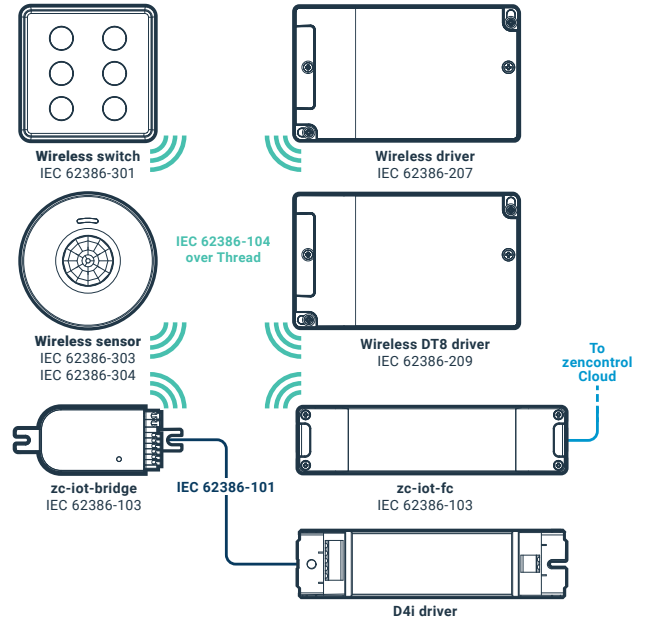


Wiring overview

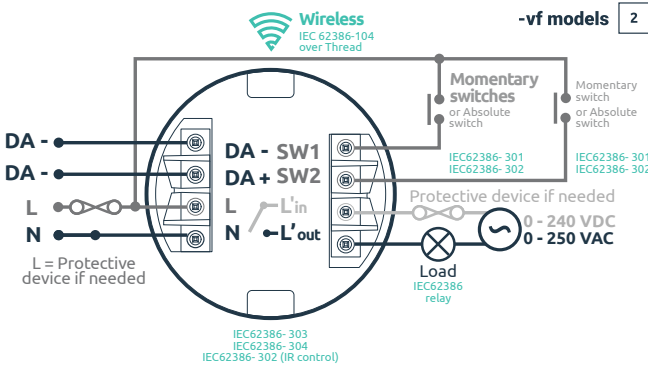
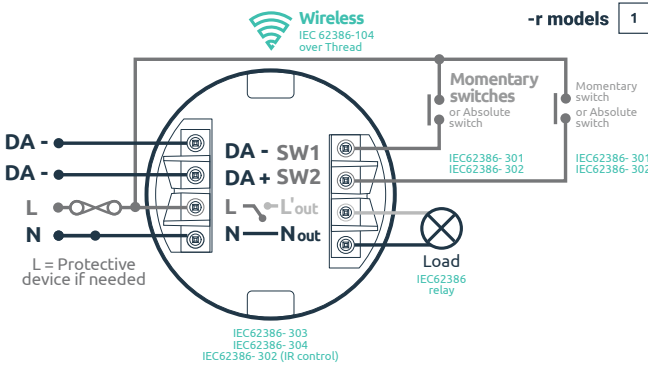
The smart IoT sensor can be wired via the terminals found under the terminal covers, as seen below.



Wireless system overview



Wiring



Accessory range

Fig.	Order code	Description
3	zc-smart-wall-kit	Smart sensor wall mount kit
4	zc-smart-sm-kit	Smart sensor surface mount kit, suitable for surface, rod and conduit mounting
5	zc-rodmount-wht	Rod mount kit, white, to be used with Smart sensor surface mount kit
6	n/a	Conduit mount, not supplied by zencontrol, used with Smart sensor surface mount kit

