

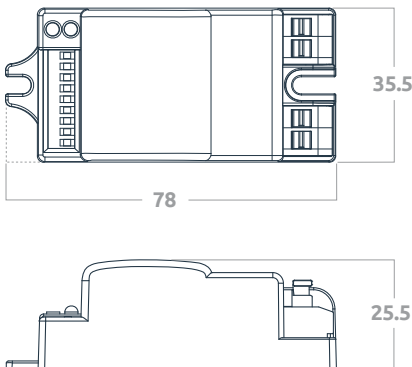
## Product range

Order code	Description
zc-mw-basic	Microwave sensor 16 m, internal kit

## Features

- Switching capacity max. 800W
- Suitable for wall or ceiling mount
- Supplied with 170 mm cable ready to wire
- Control based on ambient light and motion detection
- 5.8 GHz continuous wave radar, ISM band (industrial, scientific and medical)
- Motion can be detected through plastic, glass and thin non-metal materials
- Zero-crossing operation helps protect the sensor against high in-rush current

## Dimensions

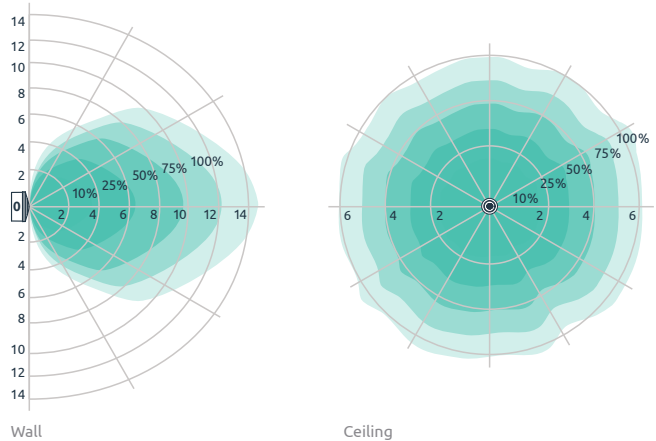


## Specifications

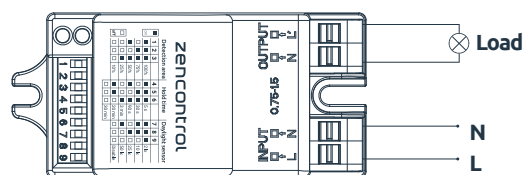
<b>Sensors</b>	Microwave, ambient light
<b>HF system</b>	5.8 GHz CW radar, ISM band, <0.5 mW
<b>Supply voltage</b>	230 V ~
<b>Power consumption</b>	<0.5 W (stand by)
<b>Operating temperature</b>	-20 to 60°C
<b>Output load</b>	800 W resistive ⚡ 400 W inductive ⚡ 200 W capacitive, led ⚡
<b>Min. load</b>	5 W
<b>Detection motion speed</b>	0.5 - 3 m/s
<b>Ingress protection</b>	IP20
<b>Material</b>	PC

## Detection pattern

Mounting type	Field of view	Range ø	Installation height
<b>Wall</b>	150°	16 x 6 m	1 - 1.8 m
<b>Ceiling</b>	360°	12 x 12 m	2.5 - 6 m



## Wiring diagram



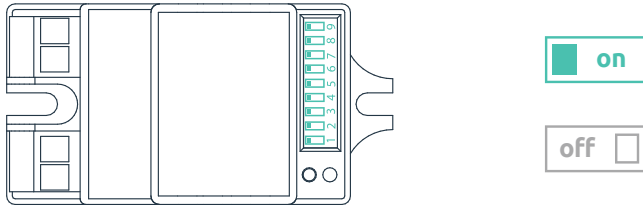
## Configuration

By selecting the combination on the DIP switch, sensor data can be precisely set for each specific application.

**Daylight** The lamp works always, even during daylight

**Twilight** The lamp works only in twilight and darkness

**Darkness** The lamp works only in darkness



1	2	3	Range	
<input checked="" type="checkbox"/>	<input checked="" type="checkbox"/>	<input checked="" type="checkbox"/>	100% (default)	<b>Detection area</b> Detection area can be reduced by selecting the combination on the DIP switches to fit precisely each application
<input type="checkbox"/>	<input checked="" type="checkbox"/>	<input checked="" type="checkbox"/>	75%	
<input checked="" type="checkbox"/>	<input type="checkbox"/>	<input checked="" type="checkbox"/>	50%	
<input type="checkbox"/>	<input type="checkbox"/>	<input checked="" type="checkbox"/>	25%	
<input type="checkbox"/>	<input type="checkbox"/>	<input type="checkbox"/>	10%	
4	5	6	Hold time	<b>Hold time</b> Refers to the time period the lamp remains at 100% illumination after no motion detected
<input checked="" type="checkbox"/>	<input checked="" type="checkbox"/>	<input checked="" type="checkbox"/>	5 sec (default)	
<input type="checkbox"/>	<input checked="" type="checkbox"/>	<input checked="" type="checkbox"/>	30 sec	
<input checked="" type="checkbox"/>	<input type="checkbox"/>	<input checked="" type="checkbox"/>	90 sec	
<input type="checkbox"/>	<input type="checkbox"/>	<input checked="" type="checkbox"/>	3 min	
<input checked="" type="checkbox"/>	<input checked="" type="checkbox"/>	<input type="checkbox"/>	20 min	
<input type="checkbox"/>	<input type="checkbox"/>	<input type="checkbox"/>	30 min	
7	8	9	Lux operation	<b>Daylight sensor</b> The sensor can be set to only allow the lamp to illuminate below a defined ambient brightness threshold
<input checked="" type="checkbox"/>	<input checked="" type="checkbox"/>	<input checked="" type="checkbox"/>	2 lx darkness operation only	
<input checked="" type="checkbox"/>	<input checked="" type="checkbox"/>	<input type="checkbox"/>	10 lx darkness operation only	
<input type="checkbox"/>	<input checked="" type="checkbox"/>	<input type="checkbox"/>	25 lx twilight operation	
<input checked="" type="checkbox"/>	<input type="checkbox"/>	<input type="checkbox"/>	50 lx twilight operation	
<input type="checkbox"/>	<input type="checkbox"/>	<input type="checkbox"/>	Daylight sensor disabled (default)	